

Dial Type Series

Model: DS1

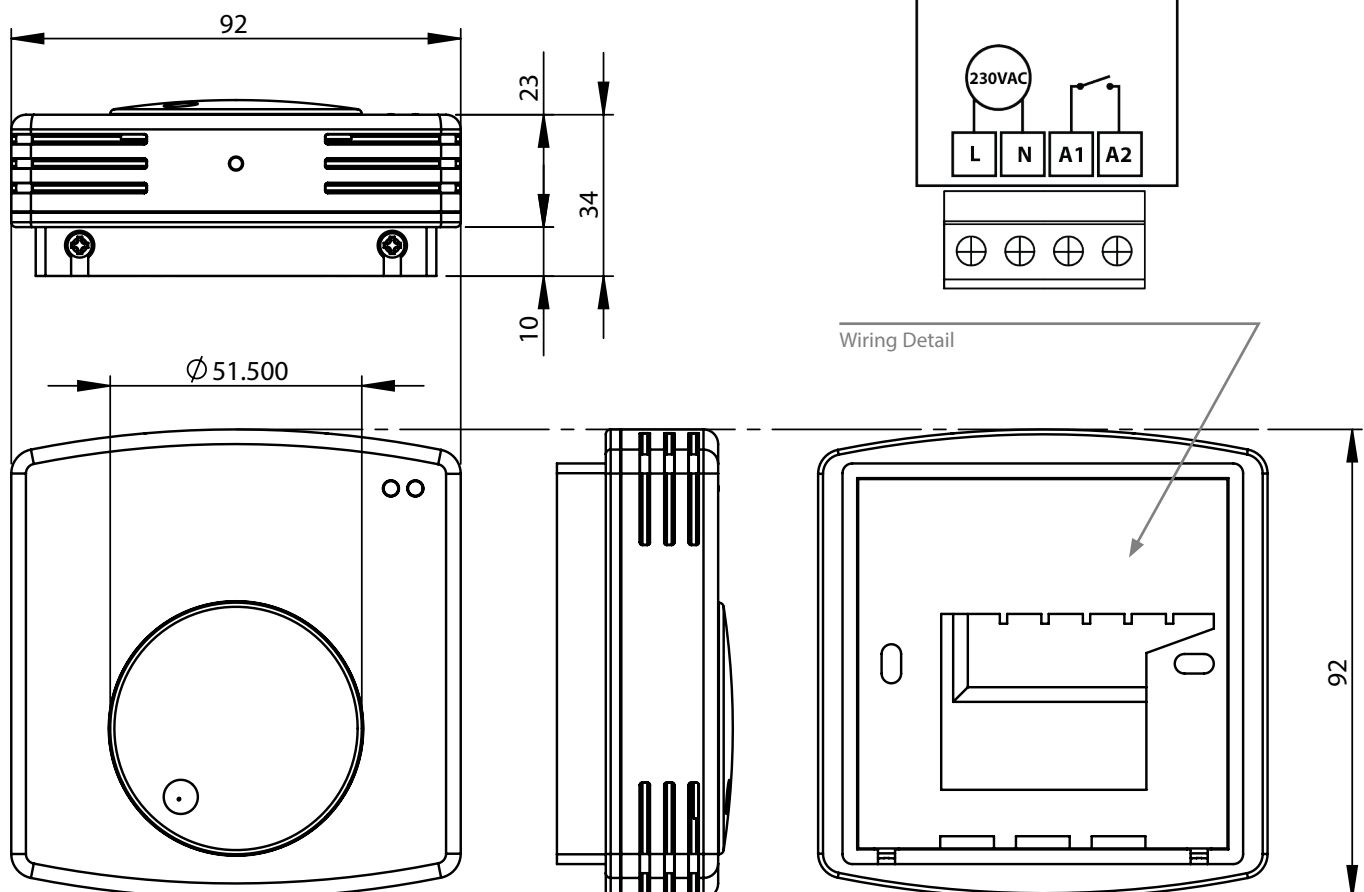


Temperature Range	05-35 °C	Supply	230VAC
Mounting Type	Surface	Rating	3A
Set Back Function	N	Installed Dimensions (L,H,D)	92 x 92 x 34mm
Digital Display	N	Weight	150g
Time Clock Override Switch	N		
Dial Lock	N		
Built In Sensor	Y		
Remote Air Sensing Mode	N		
Floor Sensing Mode	N		
Remote Probe Included	N		
Built In Air & Floor	N		
Adjustable Switching Differential	Y		
Accuracy	+/- 1.5°C		

Switching Differential Dip Switch Settings:

01	°C Switching, Switch 1 & 2 OFF
02	°C Switching, Switch 1 ON & 2 OFF
03	°C Switching, Switch 1 OFF & 2 ON

Product Dimensions (mm) & Wiring Specification



heatmiser



Heatmiser UK Ltd
 1 - 5 Hurstwood Court, Mercer Way,
 Shadsworth Business Park, Blackburn,
 Lancashire. BB1 2QU, England
 Registered in England: 3747773

tel. 01254 669090
 fax. 01254 669091
 email. sales@heatmiser.com
 web. www.heatmiser.com
 WEEE Registration Number: WEE/GF0052TQ