



FEATURES

neoHub Mini OT

Connectivity	WiFi 2.4 GHz
Max Connected Devices	2
Heating Zones	2
Hot Water Zones	0
Compatible Devices	neoAir V2-M
RF Module	868Mhz
Mounting	Surface Mount
Indicators	LED
Aerial	Integrated
Power	230Volts AC
Zone Output	Volt Free (Max Switching 230VAC 3 amps)
Boiler Output	OpenTherm* 15v Digital Signal
Dimensions	106mm(W) x 106mm (H) x 30mm (D)
Weight	239g



- Total control from anywhere using your smartphone.
- Connection method: Data & WiFi Networks.
- Use your own WiFi router to connect to miniHub using our smartphone, tablet and desktop applications.
- Free App downloads and no subscription costs.



OpenTherm*

OpenTherm increases the efficiency of the heating system by automatically adjusting the boiler's water temperature thus providing more accurate control. This is calculated by using the actual/target temperature, plus the demand from the system.

The neoHub Mini has an OpenTherm output to connect to a compatible OpenTherm boiler.

Check with your boiler manufacturer to verify if your boiler is OpenTherm compatible.

The OpenTherm connection to the boiler must be wired in shielded cable.

API

API - Third Party Integration

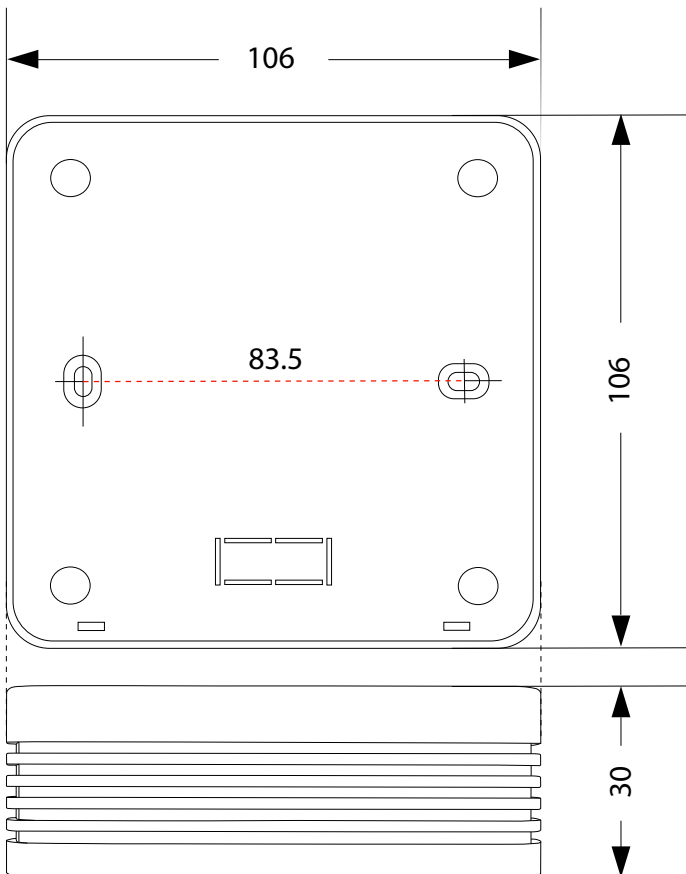
Our published API (JSON) makes it easy for third party integration companies to integrate our Neo System with leading home automation brand products from companies such as Control4 and Crestron.



Multi-Locations

During the installation of the app, you are prompted to create an account on the Heatmiser Cloud Server after which multiple locations can be created. Logging into your account from another device will present all of your Locations for quick and easy access.

Product Dimensions (mm)



Wiring Connections

