

heatmiser®

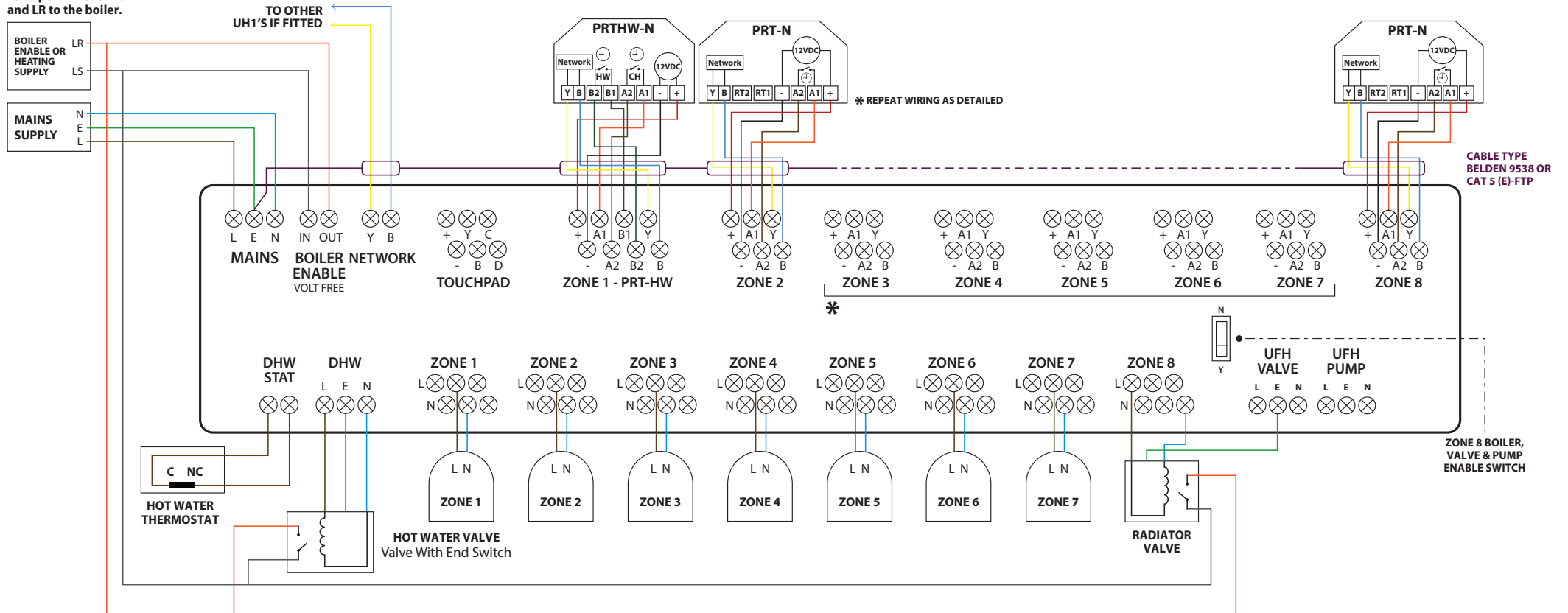


Model: **UH1**



Wiring Diagram - Basic System With Hot Water

N.B. For boilers requiring a switched live signal connect LS to permanent live and LR to the boiler.



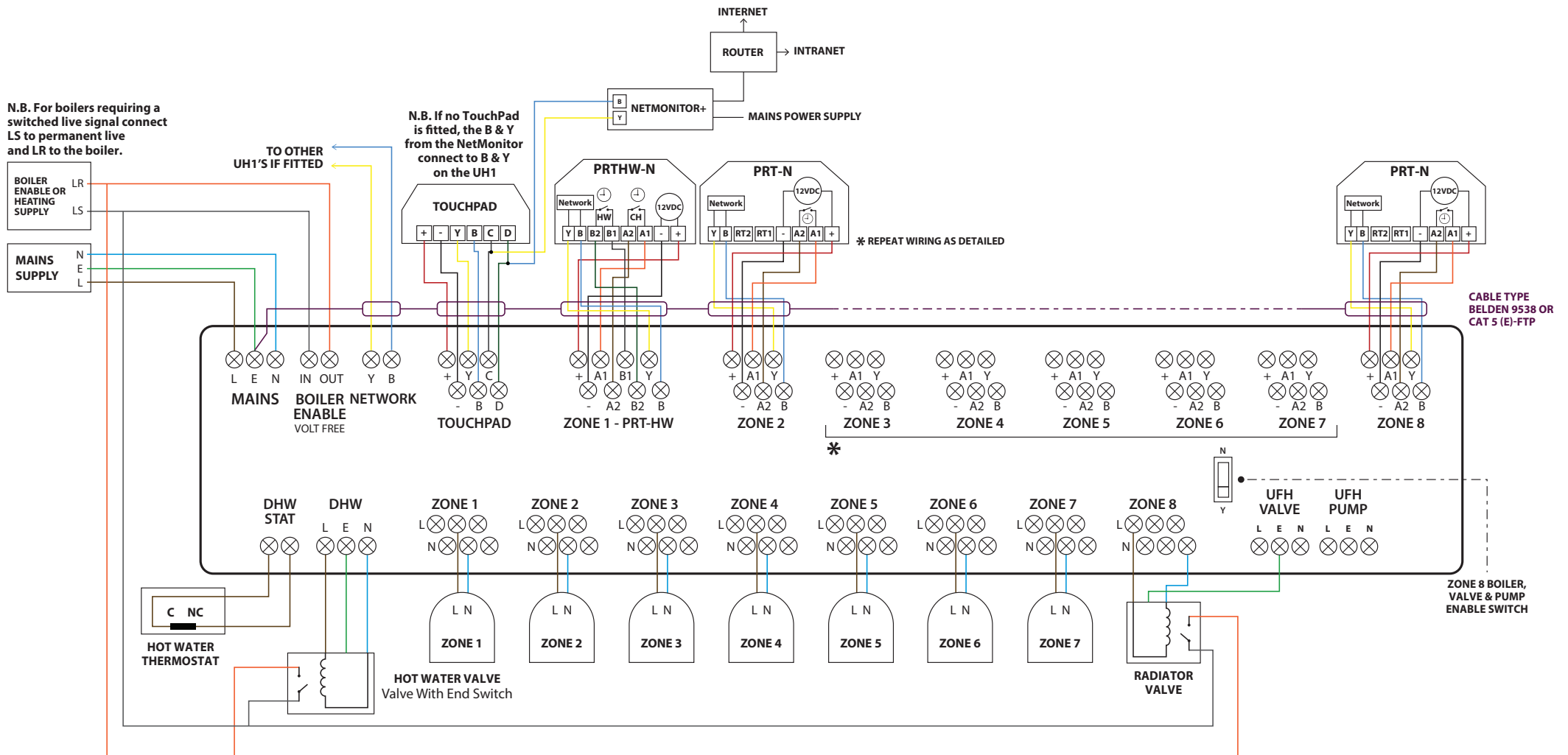
This equipment should be installed by an appropriately qualified / registered electrician. Ensure all wiring is correct before applying power. The warranty does not cover any damages caused by incorrect wiring and installation.



Wiring Diagram - UH1 With Hot Water & Radiator Circuit

N.B. For boilers requiring a switched live signal connect LS to permanent live and LR to the boiler.

N.B. If no TouchPad is fitted, the B & Y from the NetMonitor connect to B & Y on the UH1



This equipment should be installed by an appropriately qualified / registered electrician. Ensure all wiring is correct before applying power. The warranty does not cover any damages caused by incorrect wiring and installation.



Heating Professionals:

Request a copy of our product installation guide containing detailed technical specifications for our complete product range:
www.heatmiser.com/guide

Want More Information?

Call our support team on: +44 (0)1254 669090

Or view technical specifications directly on our website:
www.heatmiser.com



PDF



FAQ



Facebook:
facebook.com/thermostats



Twitter: [heatmiseruk](https://twitter.com/heatmiseruk)

Products Commonly Used With UH1 Wiring Centre:



PRT-N



PRTHW-N

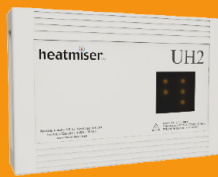


Touchpad

Other Heatmiser Wiring Centres:



UH1-W



UH2



UH3