

heatmiser®



Model: neoHub Mini HW



1

neoHub Mini HW



Table of contents

Product Image	1
Table of contents	2
Installation Procedure	3-4
neoHub Mini Explained	5
neoHub Outputs	6
Pairing the neoAir V2 to the neoHub Mini	7-9
Pairing the neoHub Mini to WiFi	10
Wiring Diagram	11-12
Individual Output Reset	13
Factory Reset	13



Installation Procedure

Step 1

Using a small screwdriver, slightly loosen the screws located at the base of the neoHub Mini. You can then carefully separate the front panel from the back plate.

Step 2

Feed the cables up through the knockout sections and use the cable clamps to secure in place, alternatively remove the knockout sections in the back plate and feed the cables through the back.

Step 3

Terminate the cables to the hub according to your system type, examples are shown in the wiring diagrams at the back of this manual.

Step 4

Mount the front panel onto the back plate, tighten the retaining screws on the base. Switch on the power supply, the power light will illuminate.

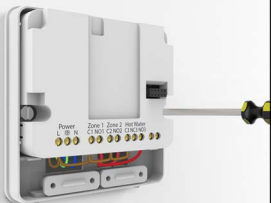
1



2



3



4





neoHub Mini Explained

Power/WiFi Status LED

- Not Connected to WiFi
- Connected to WiFi
- Connected to Heatmiser Cloud

CH1, CH2 & HW

Output status lights

- Output On
- Pairing Mode
- Output Overridden On
- Failsafe On
- Reset



Zone Pairing/Override buttons

Press and hold to enable pairing mode
Single press to override output on/off

Power/Pair/Reset button

Press and hold for 15 seconds to factory reset.



neoHub Mini Outputs

The neoHub Mini HW gives you control for 1 or 2 heating zones plus the option of controlling domestic hot water.

To control heating & hot water, configure the neoAir in mode 3. Then pair the neoAir to the heating zone CH1. The hot water output will automatically pair at the same time, there is no need to pair the HW output separately.

To control heating only, configure the neoAir in mode 1, then pair the neoAir to either the CH1 or CH2 heat outputs.



Pairing the neoAir V2 to the neoHub Mini


On the neoHub Mini...

Press and hold the 'CH1' or 'CH2' button for 6 seconds.

The zone light on the Hub will flash green to indicate pairing mode is active, example shown below pairing to CH1...





On the neoAir...

- Use the Left / Right arrow keys to scroll to 
- Press and hold the Tick key for 3 seconds to turn off the display.
- SETUP is now highlighted, press the tick key once.
- The display will show a small 01 in the top right hand corner.
- Press the tick key once again to start the pairing process, the display will appear as shown below;



Once the neoAir has successfully paired to the neoHub Mini, the zone light on the hub will turn off.

On the neoAir, navigate to  and press tick to turn on the main thermostat display, which will now show  in the top left corner.

Repeat the process for pairing any additional zones.

To test the neoAir is switching the output on/off, use the up/down keys to raise the set temperature above the current room temp, press the tick key once.

The flame symbol will appear and the zone on the hub will switch on. Use the up/down keys to lower the set temp then press tick once to turn the output off.



Pairing the neoHub Mini to your WiFi

Download the Heatmiser neoApp to your smartphone or tablet. Sign in with an existing account or register a new account.

Once signed in, select 'Add neoHub' & select the neoHub Mini.

Press the Power/Pair button once on the hub, the power light will now flash red.

Go to your WiFi settings on your smartphone or tablet, select the neoHub Mini WiFi connection.

Once connected to the hub's WiFi , go back into the neoApp to configure the hub to your WiFi network.

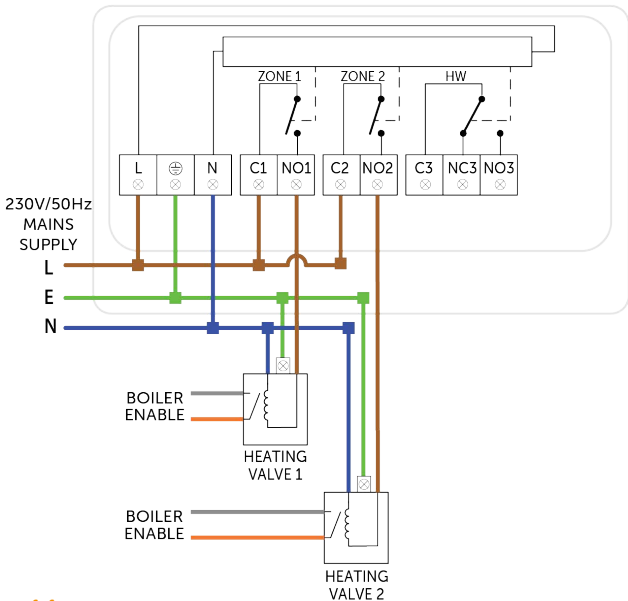
The Neo app will guide you through this process step by step.

Once it's all connected, you can re-title your zones in the app and take full control of your heating system.



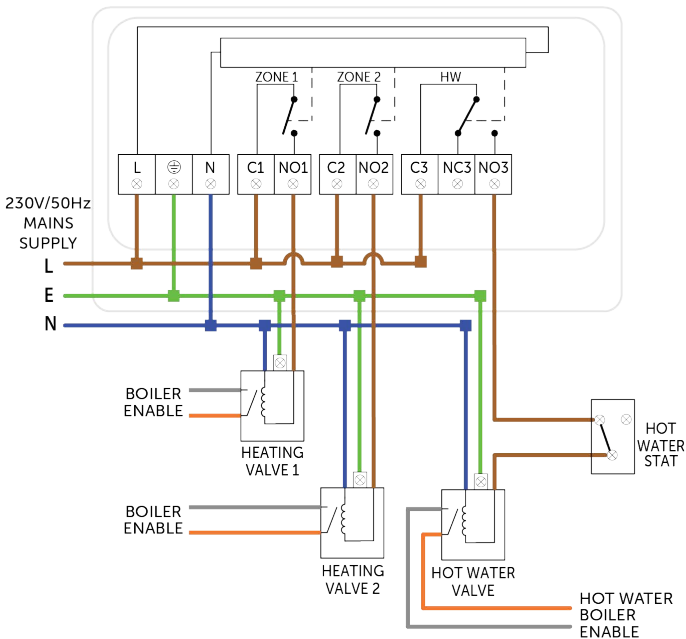


Wiring Diagram - 1 or 2 Heating Zones





Wiring Diagram - 1 or 2 Heating Zones & HW





Individual Output Reset (CH1, CH2, HW)

To reset CH1, CH2, HW & remove the thermostat paired to that output, press & hold the CH1, CH2 or HW button, the red light will flash 3 times, then release the button.

(The neoAir controlling the HW output also controls one of the heating outputs, which means resetting HW will also remove the thermostat paired to the heating output (CH1 or CH2).



Factory Reset

Warning - This reset will remove any thermostats that have paired and will also reset the WiFi connection settings. You will have to reconfigure these after resetting.

To reset all settings stored in the neoHub Mini;

Press and hold the Power/Pairing button for 15 seconds.

The CH1, CH2 & HW lights will start flashing.

Once the lights have stopped flashing, the hub will show the red power light only. Factory reset has completed.

Now pair your thermostats to the hub and reconfigure the WiFi settings as explained earlier in the manual.



Notes

A series of horizontal dotted lines for writing notes, spanning the width of the page.



Want More Information?

Call our support team on: +44 (0)1254 669090

Or view technical specifications directly on our website:
www.heatmiser.com



PDF



FAQ

Heatmiser UK Ltd

Units 1-5 Hurstwood Court, Mercer Way
Shadsworth Business Park, Blackburn,
Lancashire, BB1 2QU, United Kingdom.



Twitter: @heatmiseruk



Facebook: facebook.com/thermostats