



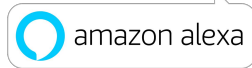
FEATURES	neoHub Mini HW
Connectivity	WiFi 2.4 GHz
Max Connected Devices	3
Heating Zones	2
Hot Water Zones	1
Compatible Devices	neoAir V2-M
RF Module	868Mhz
Mounting	Surface Mount
Indicators	LED
Aerial	Integrated
Power	230Volts AC
Output	Volt Free (Max Switching 230VAC 3 amps)
Dimensions	106mm(W) x 106mm (H) x 30mm (D)
Weight	239g



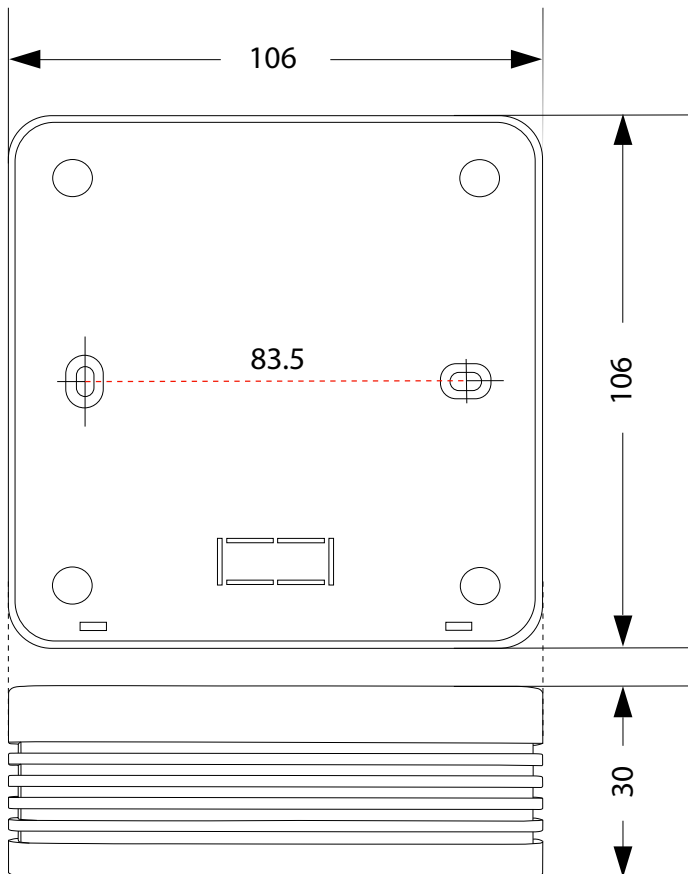
- Total control from anywhere using your smartphone.
- Connection method: Data & WIFI Networks.
- Use your own WiFi router to connect to miniHub using our smartphone, tablet and desktop applications.
- Free App downloads and no subscription costs.



Multi-Locations
During the installation of the app, you are prompted to create an account on the Heatmiser Cloud Server after which multiple locations can be created. Logging into to your account from another device will present all of your Locations for quick and easy access.



Product Dimensions (mm)



Wiring Connections

