

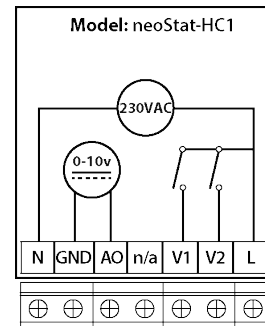
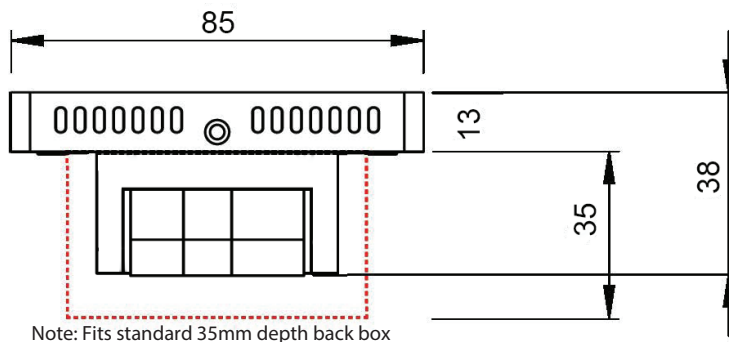


Set Heat Temperature Range	5-35°C, 41-95°F	Frost Protection (7°C - 17°C)	Y
Set Cool Temperature Range	18-35°C, 64-95°F	Mesh Networking Facility	Y
White Back Lit Screen	Y	°C / °F Option	Y
Non-Programmable Mode	Y	Built In Air Sensor	Y
5/2 Day Programming Mode	Y	Remote Air Sensing Mode	N
7 Day Programming Mode	Y	Remote Floor Sensing Mode	N
24 Hour Mode	Y	Cooling	Y
Number of Heating/Cooling Levels	4	Deadband	2°C - 10°C
Optimum Start (Heating Only)	Y	Approach Sensor	Y
Holiday Function	Y	Max Switching Current	3A
Keylock Function	Y	Accuracy +/-	1°C
Temperature Hold Function	Y	Adjustable Switching Differential	1°C - 3°C
Temperature Override	Y	Supply	230V AC
Temperature Override Limit	Y	Installed Dimensions	85x85x13mm (L,H,D)
Output Delay	Y	Weight	149g

Feature Menu

FEATURE	DESCRIPTION	SETTING	FEATURE	DESCRIPTION	SETTING
01	Pairing	Used to add zone to the neoHub	09	Temperature Format	00 = °C, 01 = °F (00 = Default)
02	Switching Differential	00 = 0.5°C 02 = 2.0°C 01 = 1.0°C (Default) 03 = 3.0°C	10	System Type	01 = 2 Pipe System, Selectable Heat or Cool only. 02 = 2 Pipe System, Cool only. 03 = 2 Pipe System Heat & Cool (fans for Cool only). 04 = 4 Pipe System Heat, Cool & Auto. 05 = 2 Pipe System Cooling & 2 Stage Heating.
03	Frost Protection Temperature	07° - 17°C (12°C = Default)	11	Deadband	2 to 10°C
04	Output Delay	00 - 15 Minutes (00 = Default)	12	Constant Fan	00 = Off (Default) 01 = On
05	Up/Down Temperature Limit	00° - 10°C (00 = Default)	13	Cool Air Proof	00 = Disabled (Default) 05, 10, 15, 30, 60, 90 seconds
06	Optimum Start	00 - 05 Hours (00 = Default)			
07	Rate of Change	Minutes to raise by 1°C			
08	Program Mode	00= Non-Programmable, 01 = Weekday/Weekend (Default), 02 = 7 Day Programming, 03 = 24 Hour Mode			

Product Dimensions (mm) & Wiring Specification



Wiring Detail

