

heatmiser®



Model: RC1-WTS



Table of Contents

Product Image	1
Table of Contents	2
Installation Procedure	3-4
LED's Explained	5
Wiring Diagrams	6-8
Notes	9-10



Installation Procedure

Please read the instructions fully so you get the best from our product.

This receiver is designed to be flush mounted and requires a back box of 35mm (minimum depth) to be sunk into the wall prior to installation.

Step 1

Carefully separate the front half of the receiver from the back plate by placing a small flat head terminal driver into the slots on the bottom face of the receiver.

Step 2

Place the receiver front somewhere safe.

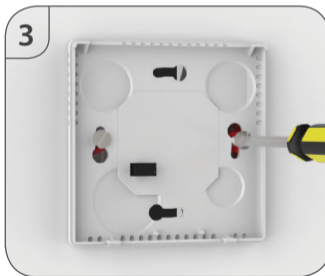
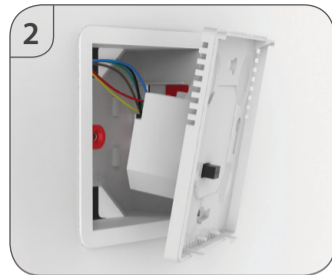
Terminate the receiver as shown in the diagrams on pages 6-9 of this booklet.

Step 3

Screw the receiver back plate securely into the back box.

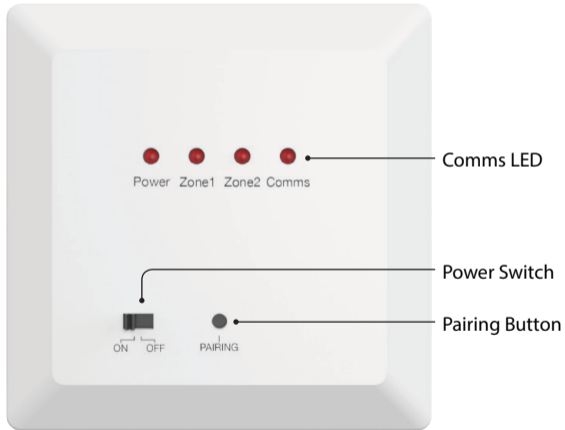
Step 4

Clip the front of the receiver back onto the receiver back plate.

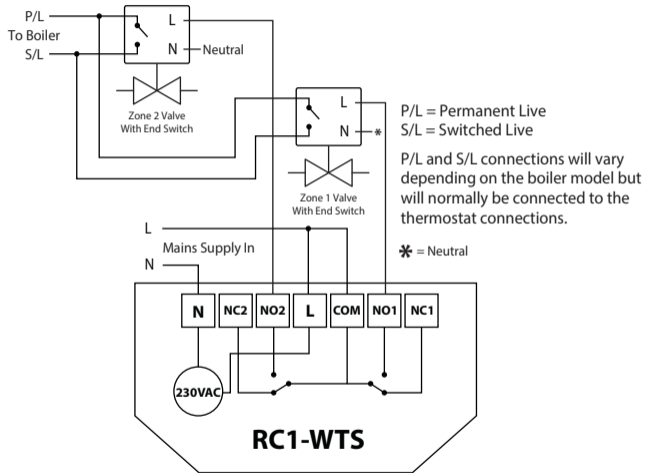


? LED Status

There are 4 LED lights on the receiver.
 Each LED is labeled and will light up or flash during setup and operation.
 Please refer to your thermostats instructions for LED status information.

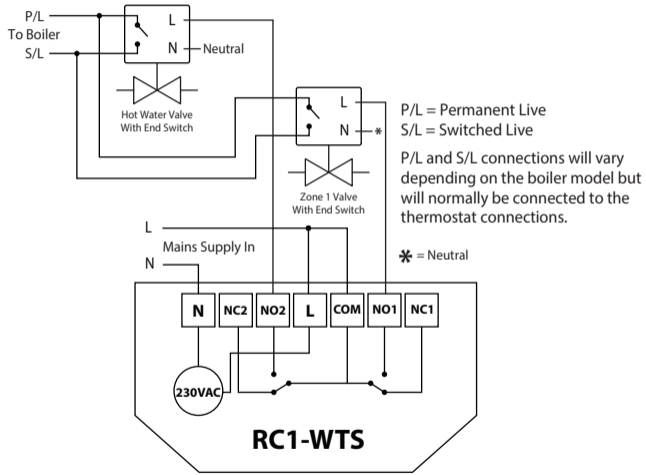


Wiring Diagram - RC1-WTS Two Zone Heating System

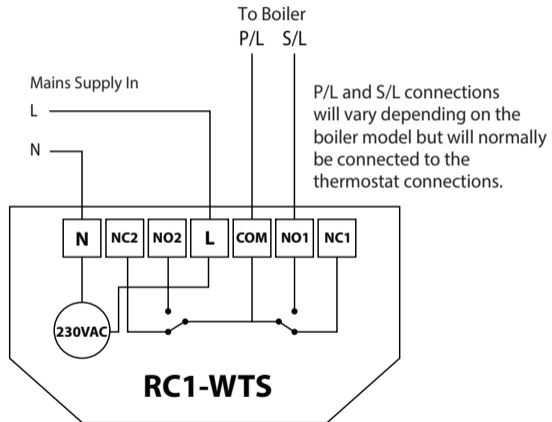




Wiring Diagram - RC1-WTS 1 Heating Zone & 1 Hot Water Zone System

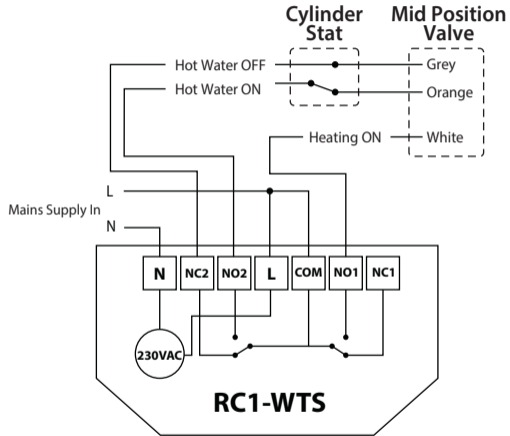


Wiring Diagram - RC1-WTS Combination Boiler System





Wiring Diagram - RC1-WTS With Mid Position Valve



To connect boiler consult boiler manufacturers wiring diagram



Notes

.....

.....

.....

.....

.....

.....

.....

.....

.....

.....

.....

.....

.....

.....

.....

.....

.....

.....



Heating Professionals:
Request a copy of our product installation guide containing detailed technical specifications for our complete product range:
www.heatmiser.com/guide

Want More Information?

Call our support team on: +44 (0)1254 669090

Or view technical specifications directly on our website:
www.heatmiser.com



PDF



FAQ



Twitter: [heatmiseruk](https://twitter.com/heatmiseruk)



Facebook:
facebook.com/thermostats