

heatmiser®



Model: RC2-W



## Table of Contents

Product Image	1
Table of Contents	2
Installation Procedure	3-4
LED's Explained	5
Wiring Diagram	6



## Installation Procedure

Please read the instructions fully so you get the best from our product.

*This receiver is designed to be flush mounted and requires a back box of 35mm (minimum depth) to be sunk into the wall prior to installation.*

### Step 1

Carefully separate the front half of the receiver from the back plate by placing a small flat head terminal driver into the slots on the bottom face of the receiver.

### Step 2

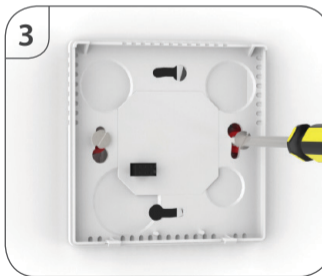
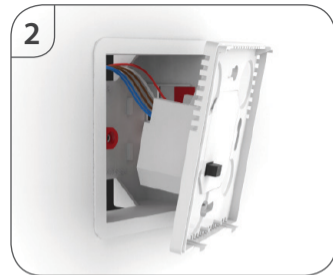
Place the receiver front somewhere safe.  
Terminate the receiver as shown in the diagrams on page 6 of this booklet.

### Step 3

Screw the receiver back plate securely into the back box.

### Step 4

Clip the front of the receiver back onto the receiver back plate.



## ? LED's Explained

There are 4 LED lights on the receiver:

Power – Permanently on when RC2-W is powered.

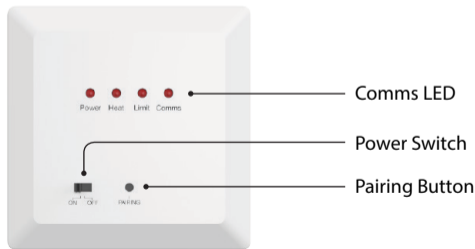
Heat – Lights up when heating output is on.

Limit – Flashes when no floor probe is detected. Shown permanently on when floor probe has reached the floor temperature limit set by the thermostat.

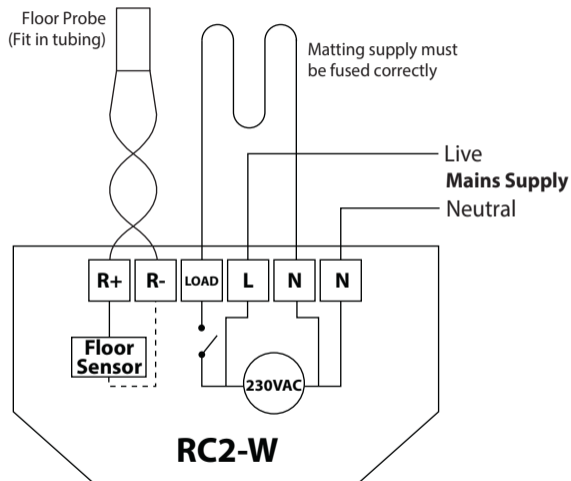
Comms – Permanently on during pairing, flashes when successfully pairs to device then off in normal operation.

Each LED is labelled and will light up or flash during setup and operation.

For pairing instructions and LED status information please refer to your thermostat instruction manual.



## Wiring Diagram - RC2-W





**Heating Professionals:**  
Request a copy of our product installation guide containing detailed technical specifications for our complete product range:  
[www.heatmiser.com/guide](http://www.heatmiser.com/guide)

## Want More Information?

Call our support team on: +44 (0)1254 669090

Or view technical specifications directly on our website:  
[www.heatmiser.com](http://www.heatmiser.com)



PDF



FAQ



Twitter: [heatmiseruk](https://twitter.com/heatmiseruk)



Facebook:  
[facebook.com/thermostats](https://facebook.com/thermostats)